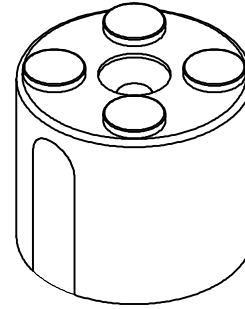
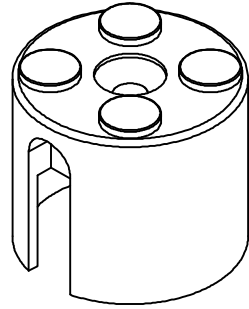
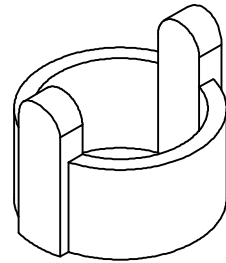


BTS-DSU35-EU4

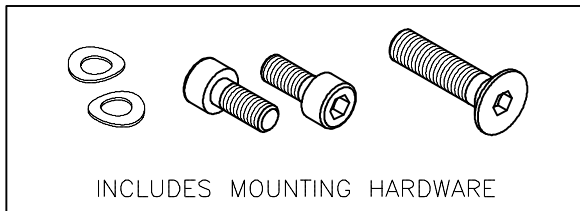


ASSEMBLED UNIT


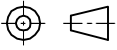
INSERT, BTS-DSU35-EU4



SOURCE DRAWING - FOR REFERENCE ONLY



INCLUDES MOUNTING HARDWARE

RELATED DOCUMENTS		3RD ANGLE PROJECTION	THIS DRAWING IS CONFIDENTIAL AND THE PROPERTY OF TURCK INC. USE OF THIS DOCUMENT WITHOUT WRITTEN PERMISSION IS PROHIBITED.		 3000 CAMPUS DRIVE MINNEAPOLIS, MN 55441 1-800-544-7769 (763) 553-7300 (763) 553-0708 fax www.turck.us	
1.			DRFT	RDS	DATE	10/24/08
2.			DSGN	ms	SCALE	1=1.3
3.		ALL DIMENSIONS DISPLAYED ON THIS DRAWING ARE FOR REFERENCE ONLY  CONTACT TURCK FOR MORE INFORMATION	UNIT OF MEASUREMENT			DESCRIPTION
4.			MILLIMETER [ INCH ]			BTS-DSU35-EU4 W/INSERT
MATERIAL		ANODIZED ALUMINUM		IDENTIFICATION NO.		REV
FINISH				A9529		A
DO NOT SCALE THIS DRAWING		FILE: A9529		SHEET 1 OF 1		

A	DRAWING RELEASE	RDS	10/24/08	
REV	DESCRIPTION	BY	DATE	ECO NO.